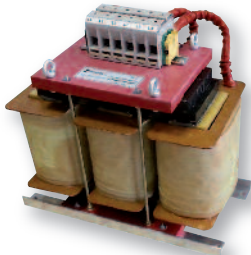




High frequency differential mode choke with excellent attenuation for high speed motors

Datasheet 3/2019

APPROVALS:


FIN960F.(010 - 1000).M

FEATURES

- Rated current from 10 to 1000A
- Increases motor life
- Protects against voltage spikes on the motor
- Customizable per motor specifics to optimize the system

MARKETS

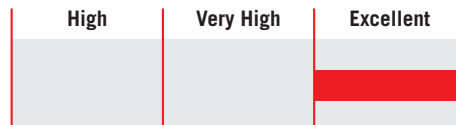
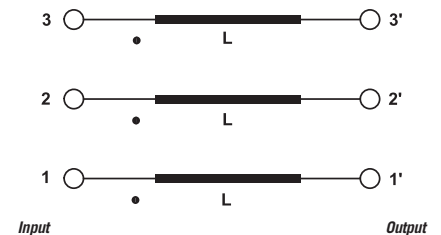
- High speed motors
- CNC machinery
- Woodworking machinery

BENEFITS

- Low power loss with frequency output up to 30 kHz
- No ventilation required
- Excellent performance versus frequency and current
- Available in open frame or enclosure

ORDERING CODE

FIN960F	.050	.M	010
Model	Current (A)	Connection	Inductance value (L)
			M = Terminal block

ATTENUATION INDICATOR

ELECTRIC DIAGRAM

TECHNICAL SPECIFICATIONS

Nominal voltage	0 / 750 Vac
Output frequency	0 - 30 kHz
Rated current	10 to 1000A
Carrier frequency (PWM)	0 - 60 kHz
Potential test voltage phase to phase	2400 Vdc (2 sec.)
Potential test voltage phase to ground	3200 Vdc (2 sec.)
IP Protection	IP20
Saturation current	4 x Rated current (Switch ON) 2 x In 10 seconds 1.5 In for 10 minutes 1.5 x Nominal current
Climatic class	-40 / +85° C
MTBF at 40°C	250.000 Hrs

ELECTRICAL CHARACTERISTICS

FIN960F	Rated Current (S1)	Peak Current (S6)	Power Loss (W)
.050.M010	50	75	70
.110.M010	110	150	110
.160.M010	160	200	150
.095.M020	95	130	90
.130.M025	130	160	115
.160.M025	160	180	170
.090.M030	90	120	60
.050.M040	50	75	80
.110.M040	110	150	280
.200.M040	200	240	580
.085.M060	85	120	280
.135.M060	135	165	300
.170.M060	170	205	520
.120.M100	120	145	305
.200.M100	200	240	820

CONNECTIONS

Solid Cable (mm ²)	LINE		Terminal Block Torque (Nm)	PE Torque (Nm)
	Stranded Cable (mm ²)			
2.5 - 50	2.5 - 35	5	5	
10 - 70	10 - 50	6	6	
10 - 95	10 - 50	10	10	
10 - 70	10 - 50	6	6	
10 - 95	10 - 70	10	10	
10 - 95	10 - 70	10	10	
10 - 70	10 - 50	6	6	
2.5 - 50	2.5 - 35	5	5	
10 - 70	10 - 50	6	6	
16 - 150	16 - 95	20	20	
10 - 70	10 - 50	6	6	
10 - 95	10 - 70	10	10	
10 - 95	10 - 70	10	10	
10 - 70	10 - 50	6	6	
16 - 250	16 - 95	20	20	

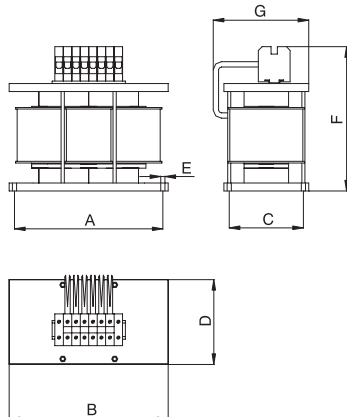
Custom nominal current and inductance value combinations are available to accommodate specific motor characteristics and working cycles.

S1 (100%) at 40C° - S6 (40% 2 min) at 40C°

MECHANICAL DIMENSIONS mm

FIN960F	A	B	C	D	E	F	G	Weight Kg.	Case
.050.M010	230	250	80	100	7	270	120	6	1
.110.M010	240	260	110	140	7	270	150	18	2
.160.M010	370	400	170	230	12	350	250	37	3
.095.M020	240	260	110	140	7	270	150	20	2
.160.M025	500	540	200	260	12	500	300	75	5
.130.M030	500	540	200	260	12	500	300	65	5
.050.M040	280	300	140	160	8	280	180	19	6
.110.M040	500	540	200	260	12	500	300	65	5
.200.M040	500	540	200	260	12	500	300	120	5
.085.M060	500	540	200	260	12	500	300	65	5
.135.M060	500	540	200	260	12	500	300	88	5
.170.M060	500	540	200	260	12	500	300	105	5
.120.M100	500	540	200	260	12	500	300	95	5
.200.M100	660	700	320	390	12	600	410	200	7

CASE 1, 2, 6



CASE 3, 4, 5, 7

