

## ELECTRIC CHARACTERISTICS

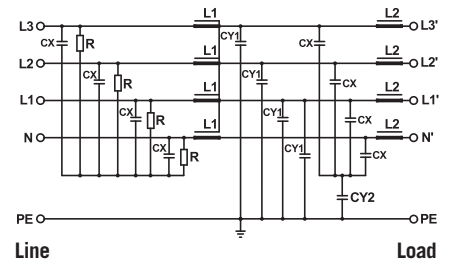
Nominal Voltage	0/480 V <sub>ac</sub> - 50/60 Hz
Phase to phase test voltage	2600 V <sub>dc</sub> (2 s)
Phase to ground test voltage	3100 V <sub>dc</sub> (2 s)
Climatic class	-25 / +85 °C



FIN1240	Nominal curr at 40°C (A)	$\Sigma Cx(\mu F)$ ±10%	Cy1 (nF) ±10%	Cy2 (nF) ±10%	L1 (mH) +50-30%	L2 (μH) ±20%	Pow loss (W)
.005.M	4X5	6,8	47	5	4X7	4X4	5
.010.M	4X10	6,8	47	5	4X5	4X4	7
.016.M	4X16	80	47	5	4X2	4X4	14
.030.M	4X30	80	47	5	4X2	4X4	11
.050.M	4X50	80	47	5	4X2	4X4	10
.080.M	4X80	80	47	5	4X1,8	4X4	35
.100.M	4X100	80	47	5	4X1,5	4X4	42
.150.M	4X150	80	47	5	4X1,3	4X2	74
.200.V	4X200	80	47	5	4X0,65	4X2	75
.360.B	4X360	80	47	5	4X0,25	—	96
.500.B	4X500	80	47	5	4X0,2	—	101
.750.B	4X750	80	47	5	4X0,2	—	103
.1000.B	4X1000	80	47	5	4X0,18	—	115

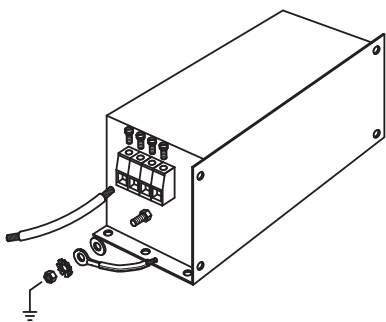
Leakage current for phase at 230 V phase to ground 50 Hz / 40°C < 3mA

## FIN1240 ELECTRIC DIAGRAM

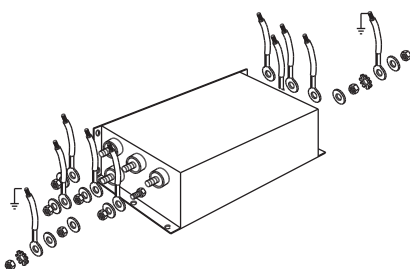


FIN 1240 Series includes 3-phase + neutral filters with nominal current up to 2000A.

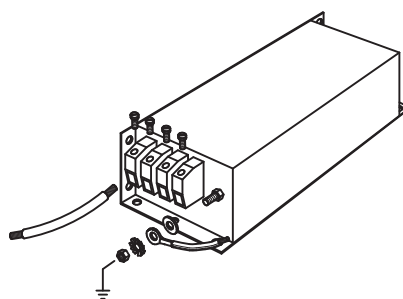
### CASE 1/2 ASSEMBLING



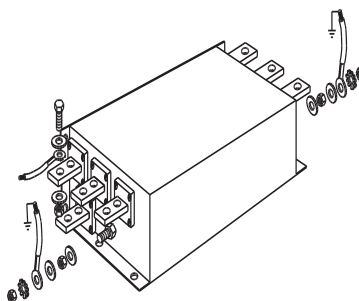
### CASE 5 ASSEMBLING



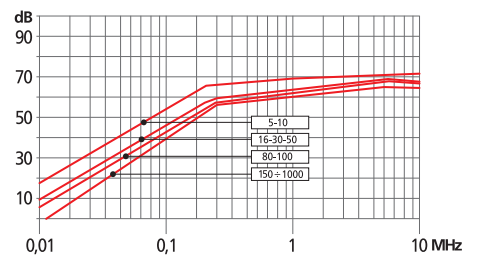
### CASE 3/4 ASSEMBLING



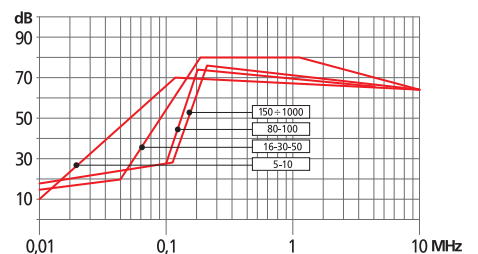
### CASE 6/7/8/9 ASSEMBLING



### COMMON MODE ATTENUATION



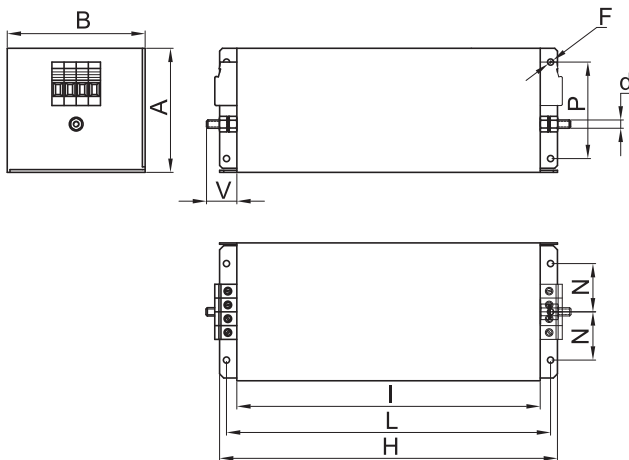
### DIFFERENTIAL MODE ATTENUATION



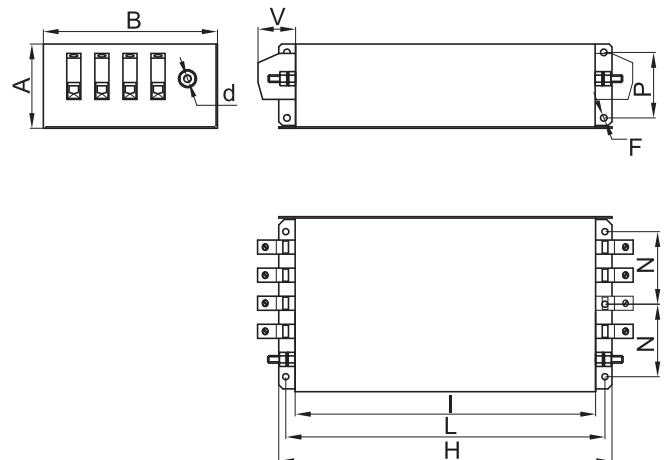
## MECHANICAL DIMENSIONS (mm)

FIN1240	A	B	d (ø)	d1	d2	d3	V	F	H	I	L	N	P	Weight Kg	Case
.005.M	58	86	M4	—	—	—	19	4,5	186	160	176	30	40	1,5	1
.010.M	58	86	M4	—	—	—	19	4,5	186	160	176	30	40	1,5	1
.016.M	90	100	M5	—	—	—	19	4,5	246	220	235	35	70	2	2
.030.M	90	100	M5	—	—	—	19	4,5	246	220	235	35	70	2,5	2
.050.M	90	100	M6	—	—	—	19	4,5	246	220	235	35	70	3	2
.080.M	90	186	M8	—	—	—	38	6,5	356	320	340	77,5	70	12	3
.100.M	90	186	M8	—	—	—	38	6,5	356	320	340	77,5	70	13	3
.150.M	90	220	M10	—	—	—	42	6,5	356	320	340	95	70	15	4
.200.V	90	220	—	M10	M10	—	30	6,5	356	320	340	95	70	20	5
.360.B	130	230	8,5	M10	10	25	42	6,5	420	380	400	100	100	27	6
.500.B	130	230	10,5	M10	15	30	48	6,5	510	450	480	100	100	33,5	7
.750.B	160	250	13,5	M12	20	40	94	8,5	510	450	480	100	110	37	8
.1000.B	180	350	13,5	M12	20	60	97	8,5	610	550	580	150	130	55	9

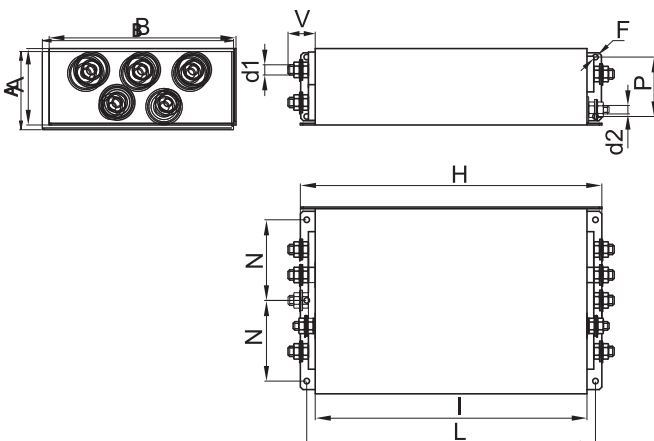
### CASE 1/2



### CASE 3/4



### CASE 5



### CASE 6/7/8/9

