



ELECTRIC CHARACTERISTICS

Nominal voltage	0/250 V _{Ac} - 50/60 Hz
Phase to phase test voltage	1750 V _{Dc} (2 s)
Phase to ground test voltage	2150 V _{Dc} (2 s)
Climatic class	- 40 / +85 °C

RoHS

FIN35	Rated Current 40°C	C _x (μF)	R (kΩ)	L ₁ (mH)	C _y (nF)	L ₂ (μH)	Power Loss (W)
.005.F	5	0.22	680	0.6	10	5	2
.010.F	10	0.22	680	0.6	10	5	2
.016.F	16	0.22	680	0.6	10	5	5
.024.M	24	0.22	680	0.6	10	5	5

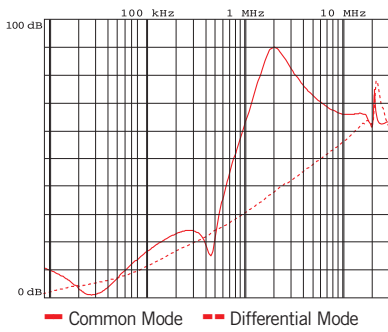
Leakage current at 230 V phase to ground- 50 Hz / 40°C < 1mA

MECHANICAL DIMENSIONS (mm)

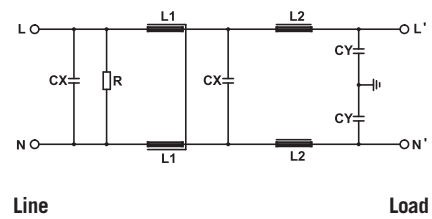
FIN35	A	B	H	N	F	L	I	V	d	Weight Kg	Case
.005.F	29	51	84.5	—	4.5	74.5	63.5	13.5	6.5	0.13	1
.010.F	33	51	84.5	—	4.5	74.5	63.5	13.5	6.5	0.18	2
.016.F	39.5	51	97	—	4.5	86.5	75.5	13.5	6.5	0.26	3
.024.M	49.5	51	70	60	4.5	51	93	13	22	0.46	4

The filter **FIN35.005** is also available with output on cable

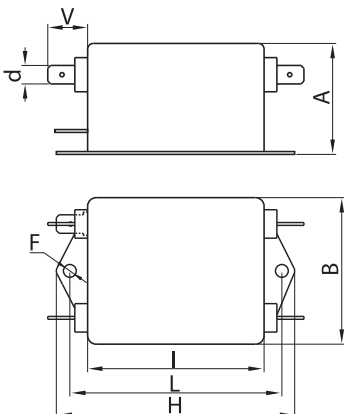
TYPICAL ATTENUATION



ELECTRIC DIAGRAM



CASE 1/2/3



CASE 4

